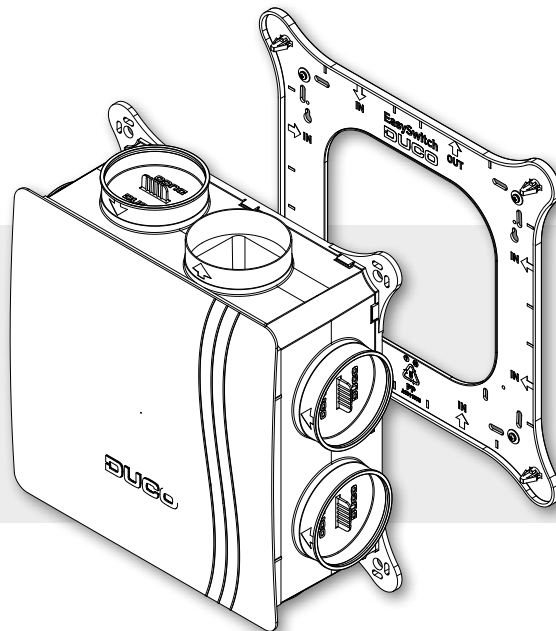


TECHNICAL DATA SHEET

EasySwitch

This 'universal' plate allows you to replace an outdated ventilation box in a renovation project **without drilling or channelling** with the DucoBox Silent or Focus. After fitting against the wall, the unit can easily be clicked into the plate, resulting in **vibration-free** operation during air extraction.



Specifications

Item number	5134
Dimensions (W x H x D)	485 x 485 x 26 mm
Weight	348 g
Material	PP
Colour	Green
Applicable models	<p>The EasySwitch contains several drill holes for replacing old ventilation boxes.</p> <p>The following ventilation boxes can be clicked onto the EasySwitch:</p> <ul style="list-style-type: none"> • DucoBox Silent • DucoBox Silent Connect • DucoBox Focus • DucoBox Hygro

